

ZOOMLION

Zoomlion Heavy Industry Science & Technology Co., Ltd.

Add: No. 677 Lugu Road Zoomlion Industrial Park Changsha, Hunan, China, 410205

Copyright © 2016 Zoomlion. All rights reserved. Reproduction and copying of any part of the contents is not allowed for any purposes without Zoomlion's written approval.
Note: No product coating appearance shall be subject to sample.



TRUCK MOUNTED PUMP



ZOOMLION

Main Parameters

Model		ZOOMLION 23X-4Z	ZOOMLION 34X-4Z
Item			
Pumping unit			
Max. theoretical output	m ³ /h	70	160/100
Max. theoretical pressure on concrete	MPa	8	11/7
Rated working pressure	MPa	35	35
Pumping frequency	min ⁻¹	22	30/20
Concrete cylinder (diam.xstroke)	mm	Φ 200×1650	Φ 230×2100
Boom kit			
Structure type		23X-4Z	34X-4Z
Max. placing span(vertical×horizontal×deep)	m	23.2/19.3/13.6	33.1/29.1/20
Min. unfolding height	m	5.14	7.9
Outriggers span (front×rear×side)	m	4.88×3.45×5.2	5.92×5.28×7.125×7.355
Rotating angle	°	±270	±270

Technical data and characteristics subject to modifications without notice.

Model		ZOOMLION 36X-5Z	ZOOMLION 38X-5RZ
Item			
Pumping unit			
Max. theoretical output	m ³ /h	160/100	140/90
Max. theoretical pressure on concrete	MPa	11/7	11/7
Rated working pressure	MPa	35	35
Pumping frequency	min ⁻¹	30/20	27/17
Concrete cylinder (diam.xstroke)	mm	Φ 230×2100	Φ 230×2100
Boom kit			
Structure type		36X-5Z	38X-5RZ
Max. placing span(vertical×horizontal×deep)	m	35.5/31.2/23	38/34/24.9
Min. unfolding height	m	8.52	9.61
Outriggers span (front×rear×side)	m	6.025×5.95×7.3×7.530	6.19×8.345×7.045
Rotating angle	°	±270	±270

Technical data and characteristics subject to modifications without notice.

Main Parameters

Model		ZOOMLION 40X-5RZ	ZOOMLION 43X-5RZ
Item			
Pumping unit			
Max. theoretical output	m ³ /h	160/100	140/90
Max. theoretical pressure on concrete	MPa	11/7	11/7
Rated working pressure	MPa	35	35
Pumping frequency	min ⁻¹	30/20	27/17
Concrete cylinder (diam.xstroke)	mm	Φ 230×2100	Φ 230×2100
Boom kit			
Structure type		40X-5RZ	43X-5RZ
Max. placing span(vertical×horizontal×deep)	m	39.5/35.2/27.2	43/39/30.5
Min. unfolding height	m	8.13	9.1
Outriggers span (front×rear×side)	m	6.19×8.345×7.045	8.22×8.8×8.9
Rotating angle	°	±270	±270

Technical data and characteristics subject to modifications without notice.

Model		ZOOMLION K49X-6RZ	ZOOMLION K52X-6RZ
Item			
Pumping unit			
Max. theoretical output	m ³ /h	170/120	200/140
Max. theoretical pressure on concrete	MPa	12/8.3	12/8.3
Rated working pressure	MPa	35	35
Pumping frequency	min ⁻¹	25/19	30/21
Concrete cylinder (diam.xstroke)	mm	Φ 260×2100	Φ 260×2100
Boom kit			
Structure type		49X-6RZ	52X-6RZ
Max. placing span(vertical×horizontal×deep)	m	48.6/43.6/34.6	52/48/37.6
Min. unfolding height	m	12.9	10.9
Outriggers span (front×rear×side)	m	9.31×10.5×8.92	9.3×11.975×10.42
Rotating angle	°	±270	±270

Technical data and characteristics subject to modifications without notice.

Main Parameters

Model		ZOOMLION 56X-6RZ
Item		
Pumping unit		
Max. theoretical output	m ³ /h	200/140
Max. theoretical pressure on concrete	MPa	12/8.3
Rated working pressure	MPa	35
Pumping frequency	min ⁻¹	30/21
Concrete cylinder (diam.xstroke)	mm	Φ 260×2100
Boom kit		
Structure type		56X-6RZ
Max. placing span(vertical×horizontal×deep)	m	56/51/40.5
Min. unfolding height	m	15.8
Outriggers span (front×rear×side)	m	9.3×11.975×10.42
Rotating angle	°	±270

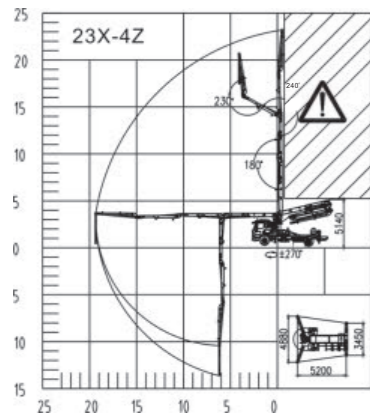
Technical data and characteristics subject to modifications without notice.

Model		ZOOMLION 63X-6RZ
Item		
Pumping unit		
Max. theoretical output	m ³ /h	200/140
Max. theoretical pressure on concrete	MPa	12/8.3
Rated working pressure	MPa	35
Pumping frequency	min ⁻¹	30/21
Concrete cylinder (diam.xstroke)	mm	Φ 260×2100
Boom kit		
Structure type		63X-6RZ
Max. placing span(vertical×horizontal×deep)	m	62.6/57.6/45.5
Min. unfolding height	m	16.65
Outriggers span (front×rear×side)	m	11.28×13.335×11.44
Rotating angle	°	±270

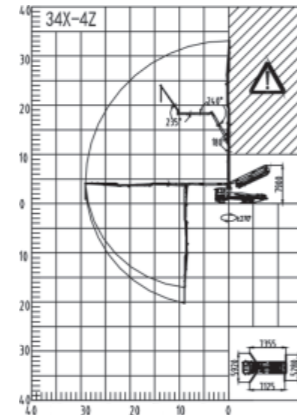
Technical data and characteristics subject to modifications without notice.

Placing Area

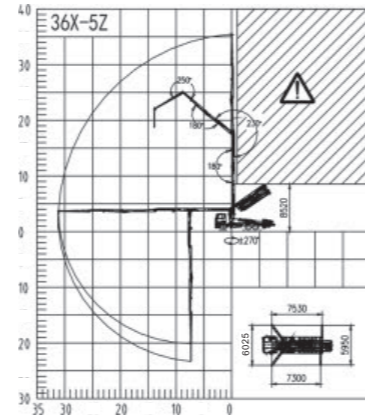
23X-4Z



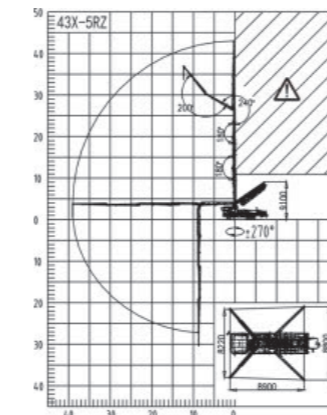
34X-4Z



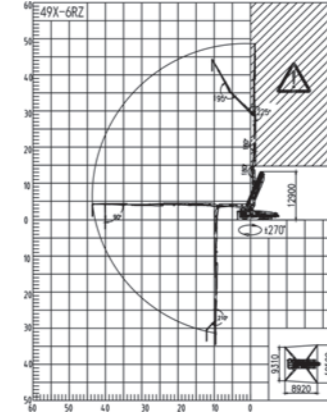
36X-5Z



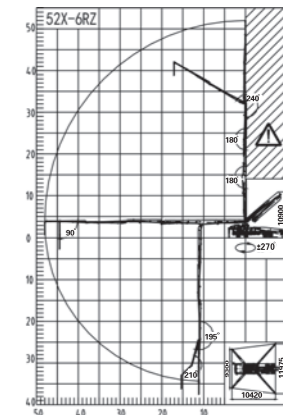
43X-5RZ



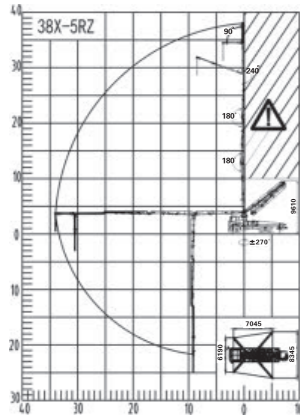
49X-6RZ



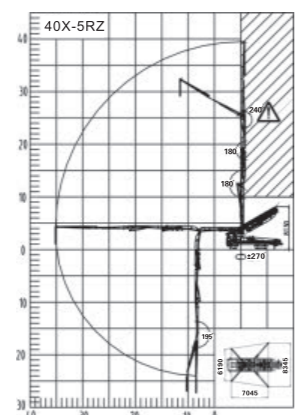
52X-6RZ



38X-5RZ



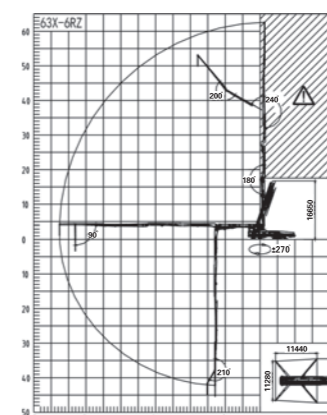
40X-5RZ



56X-6RZ



63X-6RZ





Perfect Quality Guarantee



High Precision Machining Production Line



Advanced Testing Center

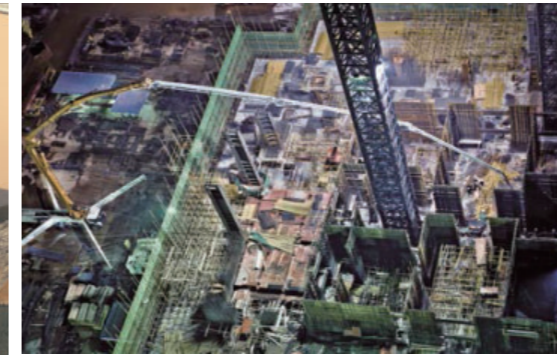


Standard 6S Logistics and Warehousing



Leading Experimental Platform

Well-known Cases



101 metres truck pump at Changsha Jiulonggang Construction site



Qingshan Nuclear Power Plant Construction Site



101 metre truck pump at Wuhanzhongxin Construction site



Shanghai-Jiangsu CRH Construction Site



Hefei-Fuzhou CRH Construction Site



Nuclear Power Plant C3 Project, Pakistan

Taishan Nuclear Power Plant Construction Site

Well-known Cases



Subway station, TST, HongKong



Ulan Bator, Mongolia



University city, Damman, Saudi



Alger, Algeria



Quayaquil Road Project, Ecuador



Ankara, Turkey



FPC steel mill project, Ky Anh, Vietnam



University building, Burma